



# WHI162/164

Alternator 无刷交流同步发电机  
BRUSHLESS SYNCHRONOUS AC

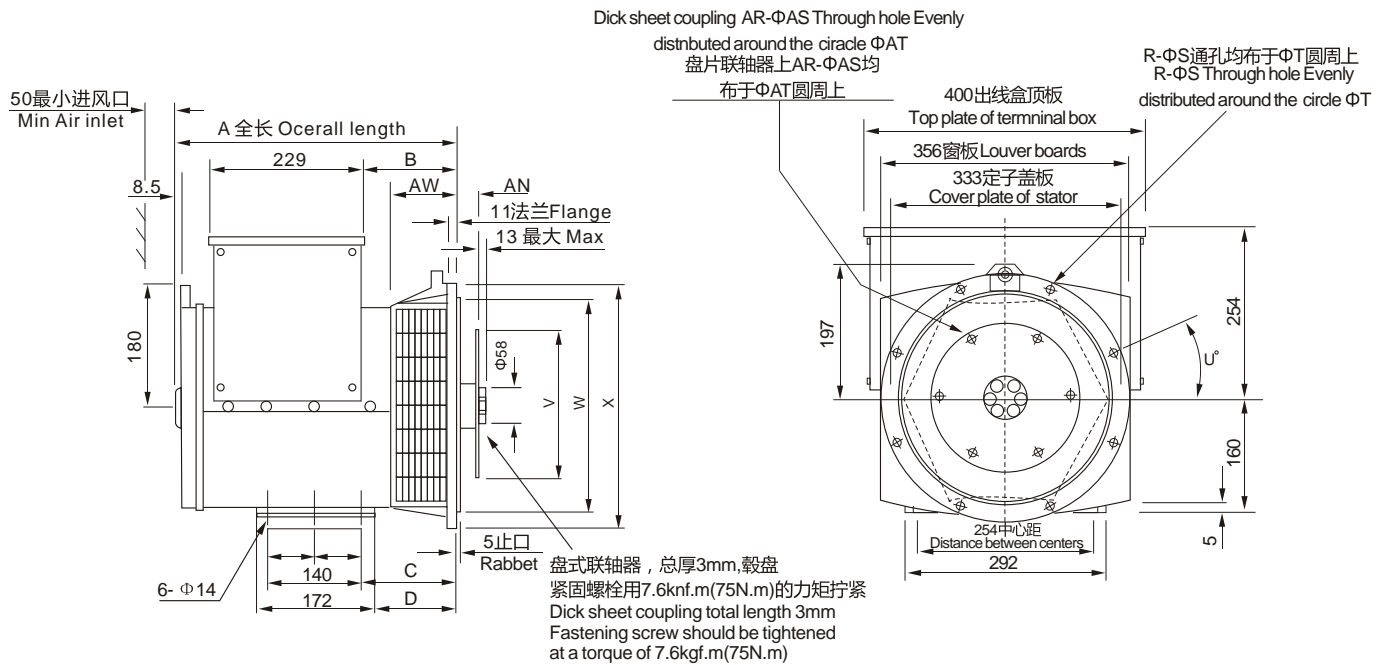
WHI 162/164 三相陆用发电机功率  
WHI162/164 3-PHASE INDUSTRY ALTERNATORS POWER

	50Hz(3000RPM)			60Hz(3600RPM)			50Hz(1500RPM)			60Hz(1800RPM)		
电 压 (V) VOLTAGE	H级温升(125°C) CLASS H TEMPERATURE-RISE(125°C)						H级温升(125°C) CLASS H TEMPERATURE-RISE(125°C)					
星形串联 STAR-SERIES	380	400	415	416	440	480	380	400	415	416	440	480
星形并联 STAR-PARALLEL	190	200	208	208	220	240	190	200	208	208	220	240
三角形串联 Δ-SERIES	220	230	240	240	254		220	230	240	240	254	
	WHI162D						WHI164A					
额定容量 RATED CAPACITY	12.5	12.5	12.5	14.7	15.6	15.6	8.1	8.1	8.1	9.6	10.2	10.2
额定功率 RATED POWER	10.0	10.0	10.0	11.8	12.5	12.5	6.5	6.5	6.5	7.7	8.2	8.2
效 率 EFFICIENCY	72.4	73.3	74.0	71.1	71.9	73.5	75.6	76.2	76.6	78.8	76.3	77.4
输入功率 INPUT POWER	13.8	13.6	13.5	16.6	17.4	17.0	8.6	8.5	8.5	10.1	10.7	10.5
	WHI162E						WHI164B					
额定容量 RATED CAPACITY	15.0	15.0	15.0	17.8	18.8	18.8	11.0	11.0	11.0	13.0	13.8	13.8
额定功率 RATED POWER	12.0	12.0	12.0	14.2	15.0	15.0	8.8	8.8	8.8	10.4	11.0	11.0
效 率 EFFICIENCY	76.3	77.0	77.5	75.1	75.8	77.0	78.8	79.4	79.8	79.0	79.4	80.5
输入功率 INPUT POWER	15.7	15.6	15.5	18.9	19.8	19.5	11.2	11.1	11.0	13.2	13.9	13.7
	WHI162F						WHI164C					
额定容量 RATED CAPACITY	17.5	17.5	17.5	20.8	21.9	21.9	13.5	13.5	13.5	16.0	16.9	16.9
额定功率 RATED POWER	14.0	14.0	14.0	16.6	17.5	17.5	10.8	10.8	10.8	12.8	13.5	13.5
效 率 EFFICIENCY	78.5	79.1	79.6	77.4	78.1	79.5	80.0	80.7	81.0	80.3	80.7	81.7
输入功率 INPUT POWER	17.8	17.7	17.6	21.4	22.4	22.1	13.5	13.4	13.3	15.9	16.7	16.5
	WHI162G						WHI164D					
额定容量 RATED CAPACITY	25.0	25.0	25.0	29.6	31.3	31.3	16.0	16.0	16.0	18.9	20.0	20.0
额定功率 RATED POWER	20.0	20.0	20.0	23.7	25.0	25.0	12.8	12.8	12.8	15.1	16.0	16.0
效 率 EFFICIENCY	80.7	81.4	81.9	80.0	80.6	81.7	81.0	81.6	81.9	81.2	81.7	82.7
输入功率 INPUT POWER	24.8	24.6	24.4	29.6	31.0	30.6	15.8	15.7	15.6	18.6	19.6	19.4

注：• 所有发电机额定功率基于环境温度40°C海拔1000m以内。 • 可以从单个绕组获得宽范围的电压，也可通过12个出线端重组获得。  
• 其他电压范围的发电机要根据用户需要制造。

Note: • The generators have been designed for use in a maximum ambient temperature of 40°C and altitude less than 1000m above sea level  
• Extended range voltage can be got from single windings or from 12-leads adjusted • Other special voltage range can be met by FIRSTALL company

# WHI162/164 | 单支点 SINGLE-BEARING



## 尺寸 DIMENSION

型号TYPE	A	A
WHI162D	364.5	93
WHI162E	364.5	93
WHI162F	416.5	132
WHI162G	416.5	132
WHI164A	364.5	93
WHI164B	364.5	93
WHI164C	391.5	107
WHI164D	391.5	107

## 盘片式联轴器 COUPLING DISC

S.A.E.No.	AN	AM	AP	AR	V
6.5	30.16	6	8.7	200.0	215.8
7.5	30.16	8	8.7	222.2	241.2
8	61.9	6	11	244.5	263.4
10	53.98	8	11	295.3	314.2

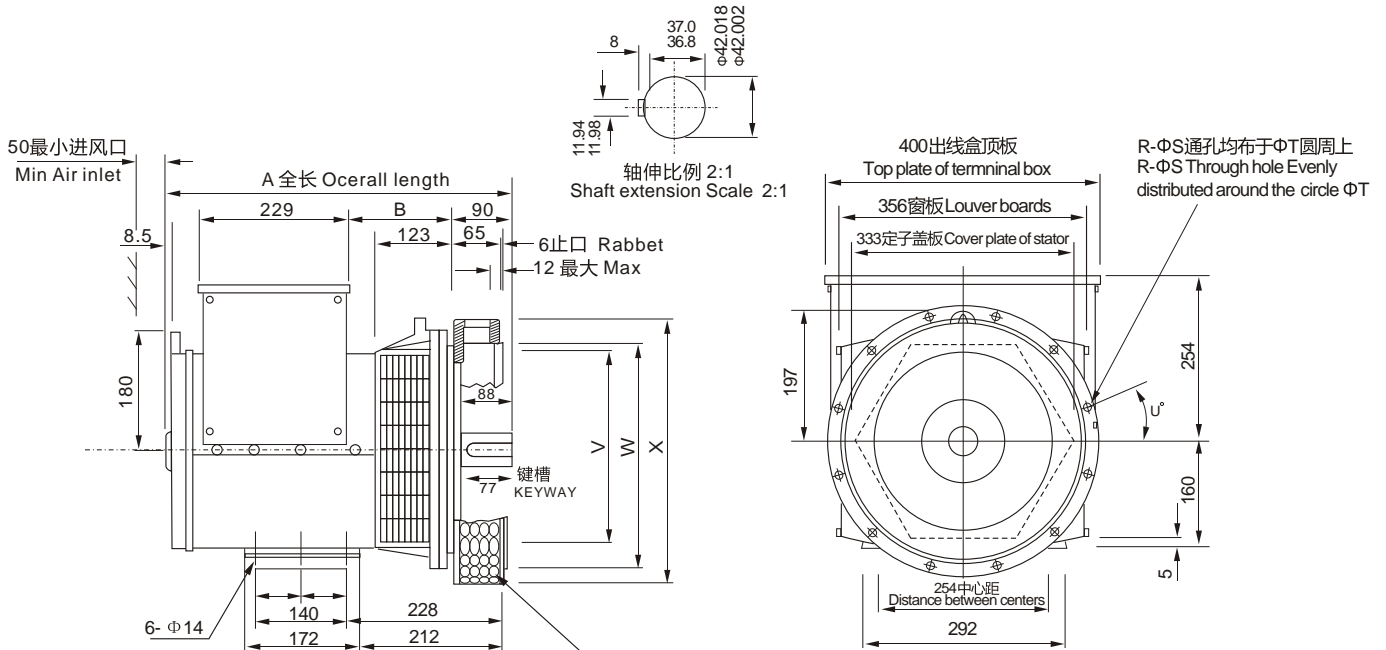
## 法兰式过渡接套 ADAPTOR

S.A.E.No.	AN	R	S	T	U°	W	X	C	D
2	132.3	12	11	466.7	15	447.6	489	172	156
3	105	8	11	428.6	15	409.5	451	145	129
4	93	8	11	381.0	15	361.9	402	133	117
5	93	8	11	333.3	22.5	314.3	356	133	117
6	124.7	8	11	385.8	22.5	266.7	308	164.7	148.7

## 运输数据 TRANSPORTATION DATA

型号TYPE	净重 N.W(kg)	毛重 G.W(kg)	包装箱尺寸 PACKAGE SIZE(cm)
WHI162D	83	93	64×54×72
WHI162E	94	104	64×54×72
WHI162F	101	111	64×54×72
WHI162G	117	127	64×54×72
WHI164A	85	95	64×54×72
WHI164B	90	102	64×54×72
WHI164C	96	110	64×54×72
WHI164D	99	116	64×54×72

# WHI162/164 | 双支点 DOUBLE-BEARING



注:SAE2.3及5过渡接套的盖板为无孔, SAE4的盖板为带202平方cm 出风面积的带孔窗板  
 Note: Those for the SAE2.3 and 5 transitional splicing sleeves are cover plates without holes The cover plates for SAE 4 are 202 cm air-discharging louver boards with holes

## 尺寸 DIMENSION

型号TYPE	A	A
WHI162D	484.5	123
WHI162E	484.5	123
WHI162F	536.5	162
WHI162G	536.5	162
WHI164A	484.5	123
WHI164B	484.5	123
WHI164C	511.5	137
WHI164D	511.5	137

## 法兰式过渡接套 ADAPTOR

S.A.E.No.	R	S	T	U°	V	W	X
2	12	11	466.7	15	432	447.6	495
3	12	11	428.6	15	396	409.5	451
4	12	11	381.0	15	352	361.9	403
5	8	11	333.3	22.5	301	314.3	356

## 运输数据 TRANSPORTATION DATA

型号TYPE	净重 N.W(kg)	毛重 G.W(kg)	包装箱尺寸 PACKAGE SIZE(cm)
WHI162D	89	99	64×54×72
WHI162E	100	110	64×54×72
WHI162F	107	117	64×54×72
WHI162G	123	133	64×54×72
WHI164A	91	101	64×54×72
WHI164B	98	108	64×54×72
WHI164C	106	116	64×54×72
WHI164D	112	122	64×54×72